



PLASTIC PANELS GREY DOOR

Models	PP3001	PP3002	PP3004	PP3005	PP3006	PP3007	PP3008	PP3010
Dimensions	200x300x130mm	250x350x150mm	300x400x170mm	300x400x220mm	350x500x190mm	400x500x240mm	400x600x200mm	500x700x250mm
Hinge Qty	2							3
Lock Qty	1		2					
Mounting Plate	Galvanised steel 1mm							
Plastic Material	HB ABS Halogen Free							
Weight	1.80kg	2.40kg	3.00kg	3.40kg	4.35kg	5.40kg	5.85kg	9.70kg
Colour	RAL 7035 Grey							
Protection Degree	IP65							
Conformity	CE							



PLASTIC PANELS TRANSPARENT DOOR

Models	PP3011	PP3012	PP3014	PP3015	PP3016	PP3017	PP3018	PP3020
Dimensions	200x300x130mm	250x350x150mm	300x400x170mm	300x400x220mm	350x500x190mm	400x500x240mm	400x600x200mm	500x700x250mm
Hinge Qty	2							3
Lock Qty	1		2					
Mounting Plate	Galvanised steel 1mm							
Plastic Material	HB ABS Halogen Free							
Weight	1.80kg	2.40kg	3.00kg	3.40kg	4.35kg	5.40kg	5.85kg	9.70kg
Colour	RAL 7035 Grey body, Transparent door							
Protection Degree	IP65							
Conformity	CE							



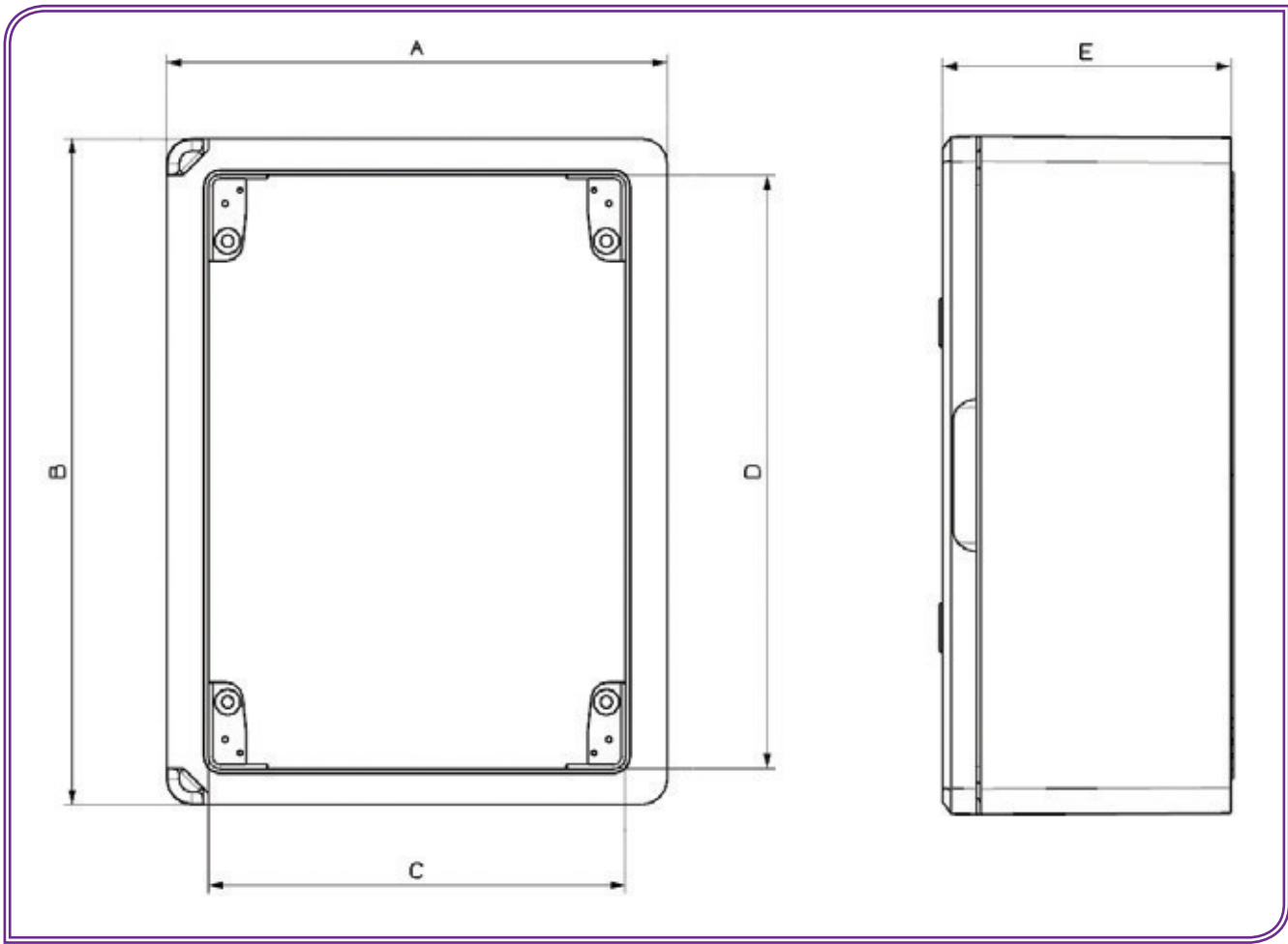
MODULAR PANELS GREY DOOR

Models	PP3102	PP3104	PP3106	PP3108
Dimensions	250x350x150mm	300x400x170mm	350x500x190mm	400x600x200mm
Hinge Qty	2			
Lock Qty	1	2		
MCB Qty	18 (9x2)	24 (12x2)	45 (15x3)	60 (15x4)
Plastic Material	HB ABS Halogen Free			
Weight	2.50kg	3.40kg	4.50kg	6.00kg
Colour	RAL 7035 Grey			
Protection Degree	IP65			
Conformity	CE			



MODULAR PANELS TRANSPARENT DOOR

Models	PP3112	PP3114	PP3116	PP3118
Dimensions	250x350x150mm	300x400x170mm	350x500x190mm	400x600x200mm
Hinge Qty	2			
Lock Qty	1	2		
MCB Qty	18 (9x2)	24 (12x2)	45 (15x3)	60 (15x4)
Plastic Material	HB ABS Halogen Free			
Weight	2.50kg	3.40kg	4.50kg	6.00kg
Colour	RAL 7035 Grey body, Transparent door			
Protection Degree	IP65			
Conformity	CE			



	200x300x130mm	250x350x150mm	300x400x170mm	300x400x220mm	350x500x190mm	400x500x240mm	400x600x200mm	500x700x250mm
BOARDS CODE	PP3001	PP3102 PP3002	PP3104 PP3004	PP3005	PP3106 PP3006	PP3007	PP3108 PP3008	PP3010
A	200	250	300	300	350	400	400	500
B	300	350	400	400	500	500	600	700
C	143	195	245	241	291	340	341	443.5
D	250	300	352	348	448	447	548	650.5
E	130	150	170	220	190	240	200	250

	200x300x130mm	250x350x150mm	300x400x170mm	300x400x220mm	350x500x190mm	400x500x240mm	400x600x200mm	500x700x250mm
BOARDS CODE	PP3011	PP3112 PP3012	PP3114 PP3014	PP3015	PP3116 PP3016	PP3017	PP3118 PP3018	PP3020
A	200	250	300	300	350	400	400	500
B	300	350	400	400	500	500	600	700
C	143	195	245	241	291	340	341	443.5
D	250	300	352	348	448	447	548	650.5
E	130	150	170	220	190	240	200	250